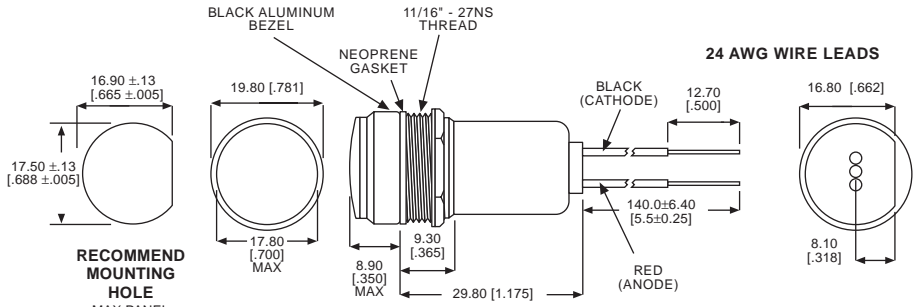


LED PANEL MOUNT INDICATORS

557 SERIES FOR 11/16" MOUNTING HOLE • WATERTIGHT

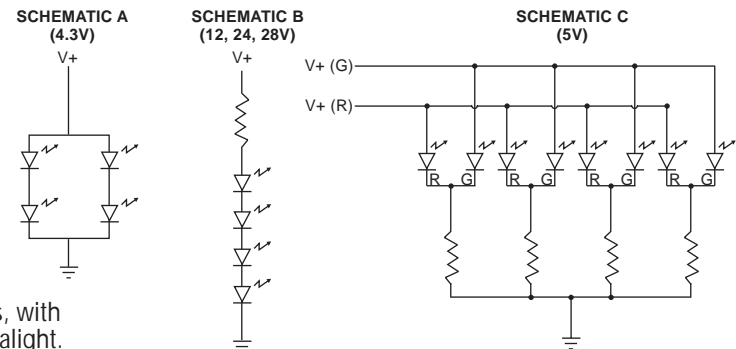
PART NO.	COLOR	V _F	mA	fL*
557-1101-203	R	4.3**	40	100
557-1201-203	G	4.3**	50	150
557-1301-203	Y	4.3**	50	100
557-1501-203	R	4.3**	40	1000
557-1402-203†	R/G	5	80	200/100
557-1503-203	R	12	20	1000
557-1103-203	R	12	20	100
557-1203-203	G	12	25	150
557-1303-203	Y	12	25	100
557-1505-203	R	24	20	1000
557-1104-203	R	28	20	100
557-1204-203	G	28	25	150
557-1304-203	Y	28	25	100



ENVIRONMENTAL LIMITS:
 Storage Temp: -30°C to +100°C
 Operating Temp: -25°C to +85°C
 Seal Specifications: MIL -L 3661 B

Housing Material: White Polycarbonate

Legend Film Discs Available - Positive or negative film discs, with words, numerals or letters may be ordered. Please contact Dialight.

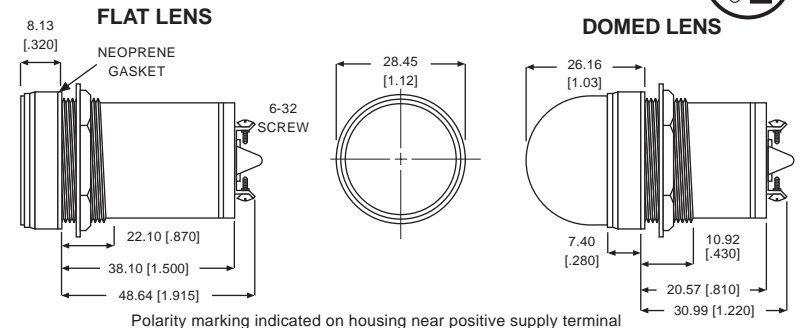


556 SERIES FOR 1" MOUNTING HOLE • WATERTIGHT



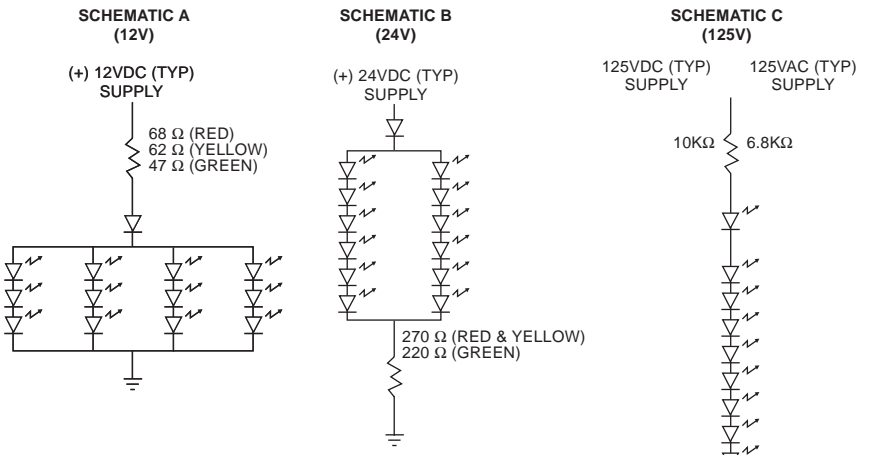
FLAT LENS

PART NO.	COLOR	V _F	mA	fL*
556-1103-304	R	12DC	81	1500
556-1203-304	G	12DC	81	760
556-1303-304	Y	12DC	81	1800
556-1104-304	R	24DC	40	1500
556-1204-304	G	24DC	40	760
556-1304-304	Y	24DC	40	1800
556-1105-304	R	125AC	8.5	900
556-1205-304	G	125AC	8.5	300
556-1305-304	Y	125AC	8.5	1000



DOMED LENS

PART NO.	COLOR	V _F	mA	fL*
556-3103-304	R	12DC	81	100
556-3203-304	G	12DC	81	55
556-3303-304	Y	12DC	81	75
556-3104-304	R	24DC	40	100
556-3204-304	G	24DC	40	55
556-3304-304	Y	24DC	40	75
556-3105-304	R	125AC	8.5	50
556-3205-304	G	125AC	8.5	30
556-3305-304	Y	125AC	8.5	40
556-3107-304	R	125DC	10	50
556-3207-304	G	125DC	10	30
556-3307-304	Y	125DC	10	40



Housing Material: Nickel Plated Brass

* Intensity measured in foot Lamberts (1fL = 3.4 cd/m²)
 ** Requires external resistor
 † Bi color has 3 leads: Red for Red Anode, Green for Green Anode, Black for Common Cathode

ENVIRONMENTAL LIMITS:
 Storage Temp: -30°C to +100°C
 Operating Temp: -25°C to +85°C
 Seal Specifications: NEMA 4X IP66

Dimensions in mm [inches]

